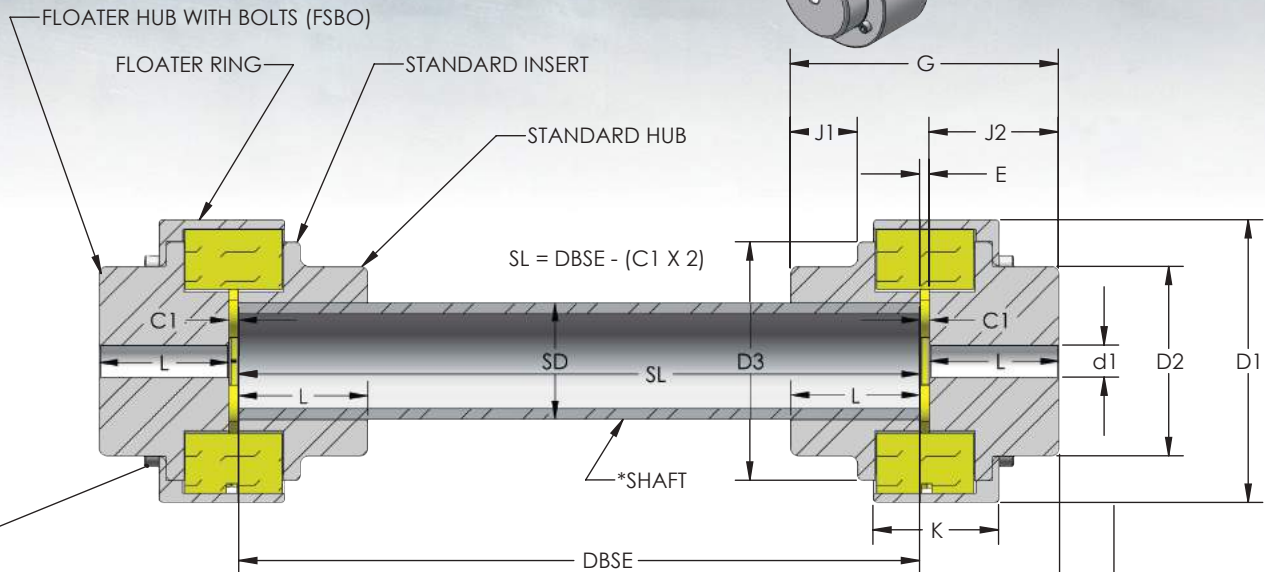
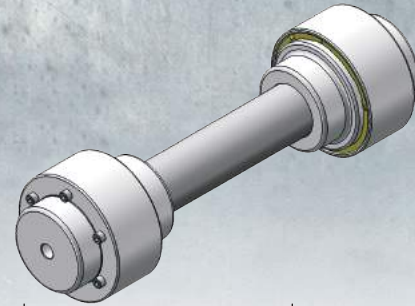


**FLOATING SHAFT COUPLINGS
FOR CONNECTING EQUIPMENT WITH LARGE
DISTANCE BETWEEN SHAFT ENDS**

FIGURE 8
FLOATING SHAFT



- 6) SOCKET HEAD CAP SCREWS (M7-M13)
- 6) SOCKET HEAD CAP SCREWS OR SNAP RING (M3-M6)
- SNAP RING ONLY (M00-M2)

*COUPLING IS AVAILABLE WITH OR WITHOUT SHAFT
*SHAFT IS AVAILABLE IN STEEL, STAINLESS STEEL,
OR LIGHT WEIGHT COMPOSITE TUBING

MINIMUM CLEARANCE
REQUIRED FOR INSERT REMOVAL

DIMENSIONS - Millennium® FLOATING SHAFT

SIZE	M00	M0	M1	M1H	M2	M3	M4	M5	M6	M7	M8	M9	M10	M11	M12	M13
EXTERNAL D1	2.125	2.840	3.875	4.250	4.700	5.930	7.600	9.700	11.800	13.680	15.850	17.860	19.875	23.030	27.600	34.620
G	2.050	2.825	3.575	3.950	4.575	5.075	6.700	9.200	11.200	12.200	14.700	18.200	20.200	22.250	23.250	22.300
MAXIMUM BORE	1.000	1.375	1.750	1.9375	2.250	2.500	3.375	4.500	5.500	6.000	7.250	9.000	10.000	11.000	13.250	16.000
PILOT BORE d1	0.250	0.300	0.500	0.609	0.609	0.750	0.940	1.100	1.500	1.750	2.450	2.900	3.750	4.000	4.000	7.000
C1	0.132	0.145	0.195	.195	0.195	0.195	0.320	0.320	0.320	0.320	0.320	0.320	0.370	0.370	0.370	0.420
C3	0.185	0.450	0.820	0.625	1.250	1.250	1.930	1.430	1.460	3.180	4.250	2.625	1.430	2.485	4.475	8.900
L	0.935	1.340	1.690	1.875	2.440	2.440	3.190	4.440	5.440	5.940	7.190	8.940	9.940	10.940	11.440	10.900
D2	1.600	2.200	2.875	3.100	4.000	4.000	5.500	6.500	8.000	9.000	10.500	12.000	14.000	15.000	18.500	24.000
D3	1.700	2.400	3.150	3.470	4.900	4.900	6.400	8.180	9.930	11.900	13.940	15.900	17.900	19.650	23.900	30.000
J1	0.600	0.775	0.850	1.038	1.125	1.125	1.350	2.300	3.000	2.500	2.750	4.375	5.500	5.750	5.500	3.000
J2	1.000	1.375	1.750	1.938	2.500	2.500	3.250	4.500	5.500	6.000	7.250	9.000	10.000	11.000	11.500	11.000
K	.900	1.325	1.870	1.860	2.750	2.750	3.780	4.330	5.060	6.680	8.250	8.500	8.180	9.735	11.475	14.150
*SD (SHAFT DIAMETER)	1.000	1.250	1.500	1.500	2.000	2.000	3.000	4.000	5.000	5.500	7.000	8.500	9.500	10.500	13.000	15.500
E (GAP)	0.62	.075	.075	.075	.075	.075	.200	.200	.200	.200	.200	.200	.250	.250	.250	.300

*Shaft Dimensions subject to change without notice.
Refer to Horsepower Capacity at various RPM on pages 4 & 18